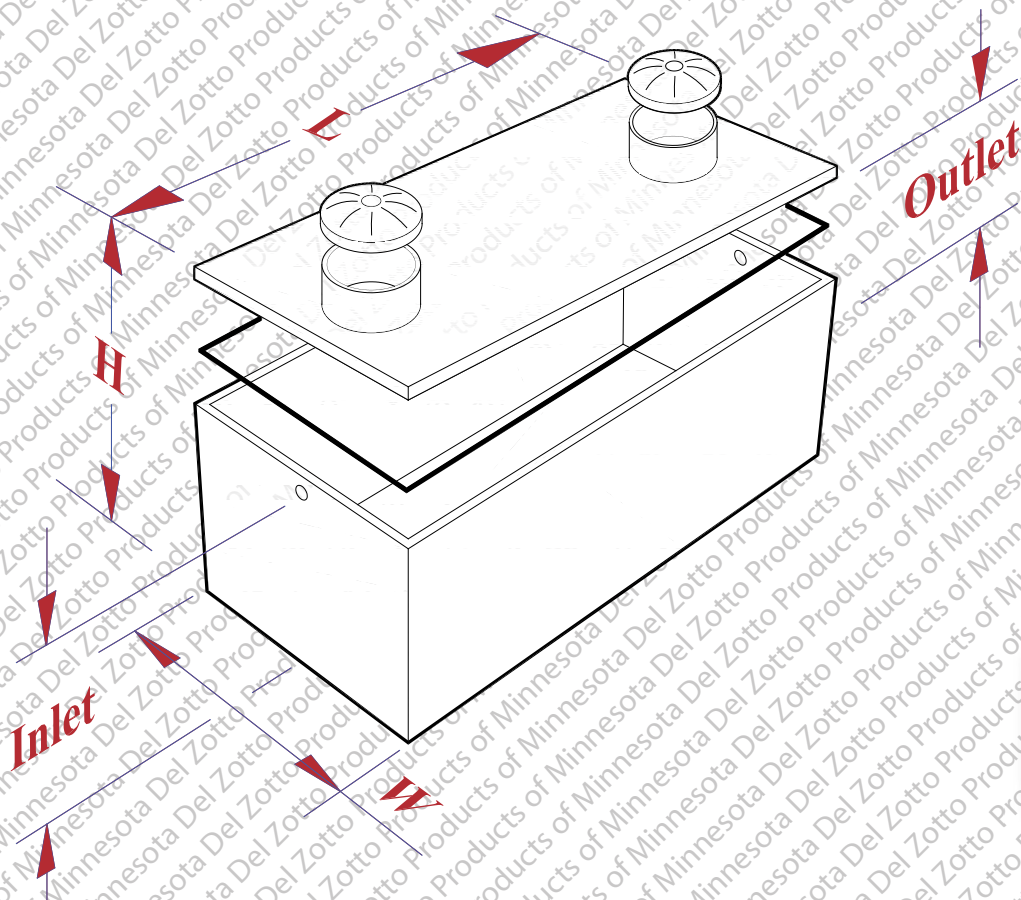


Del Zotto

You Dig... Del Zotto Delivers™

1900 County Road #1
 Wrenshall, MN 55797
 Phone (218) 384-3066
 Fax (218) 384-3087

2500 Gallon Single Compartment Septic Tank



L

(Length)

13'

(156")

W

(Width)

6' 9"

(81")

H

(Height)

6' 4-1/2"

(76-1/2")

Inlet

(Inlet Height)

5' 3"

(63")

Outlet

(Outlet Height)

5' 0"

(60")

- ◆ Lid Thickness = 5 Inches
- ◆ Floor Thickness = 3 Inches
- ◆ Wall Thickness = 3 Inches

- ◆ Dist between In/Out = 57 Inches
- ◆ Air Space = 11-1/2 Inches
- ◆ Percent of Air Space = 20%
- ◆ Wall Taper = 2-1/2 Inches
- ◆ Dist between In/Out = 3 Inches

- ◆ Capacity = 2622 Gals
- ◆ Gallons per Inch = 46.0 Gals
- ◆ Weight = 16,536 LBS