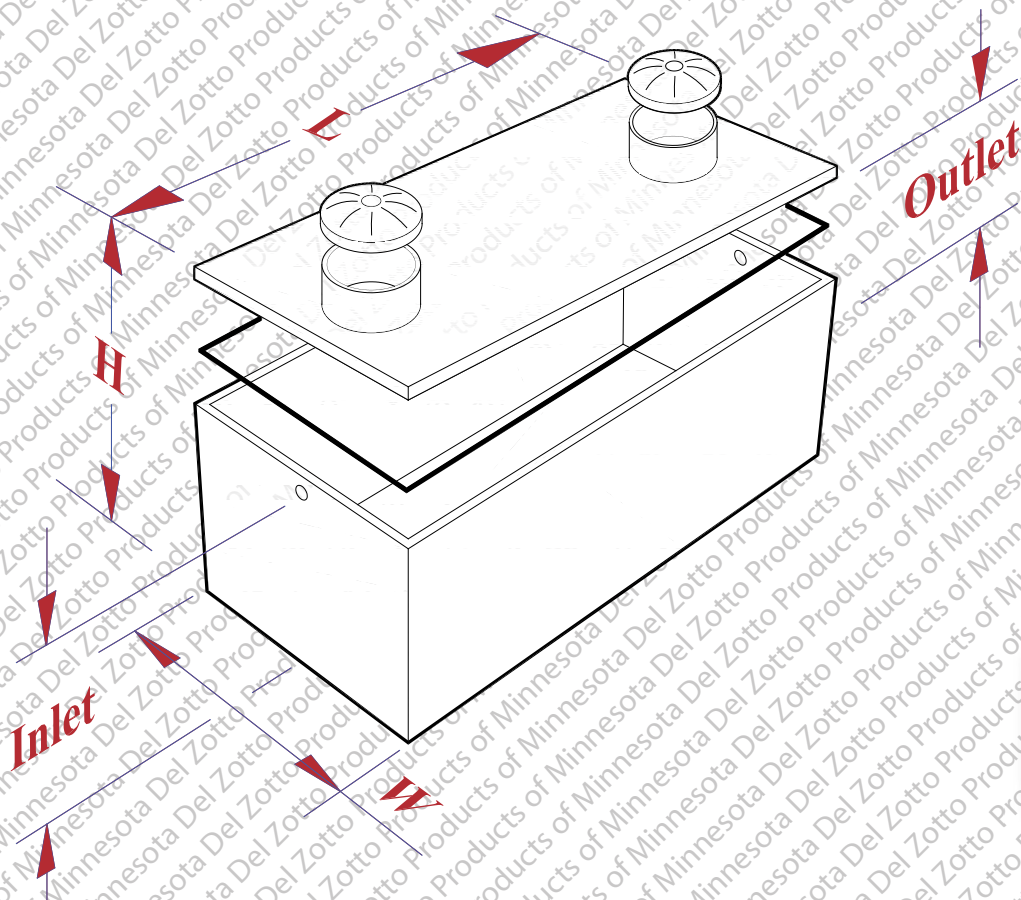


Del Zotto

You Dig... Del Zotto Delivers™

1900 County Road #1
Wrenshall, MN 55797
Phone (218) 384-3066
Fax (218) 384-3087

2000 Gallon Single Compartment Septic Tank



L

(Length)

13'

(156")

W

(Width)

6'9"

(81")

H

(Height)

5'5"

(65")

Inlet

(Inlet Height)

4'3"

(51")

Outlet

(Outlet Height)

4'0"

(48")

- ◆ Lid Thickness = 5 Inches
- ◆ Floor Thickness = 3 Inches
- ◆ Wall Thickness = 3 Inches

- ◆ Dist between In/Out = 45
- ◆ Air Space = 12
- ◆ Percent of Air Space = 27%
- ◆ Wall Taper = 2-1/2Inches
- ◆ Dist between In/Out = 3 Inches

- ◆ Capacity = 2067 Gals
- ◆ Gallons per Inch = 45.9 Gals
- ◆ Weight = 15,182 LBS