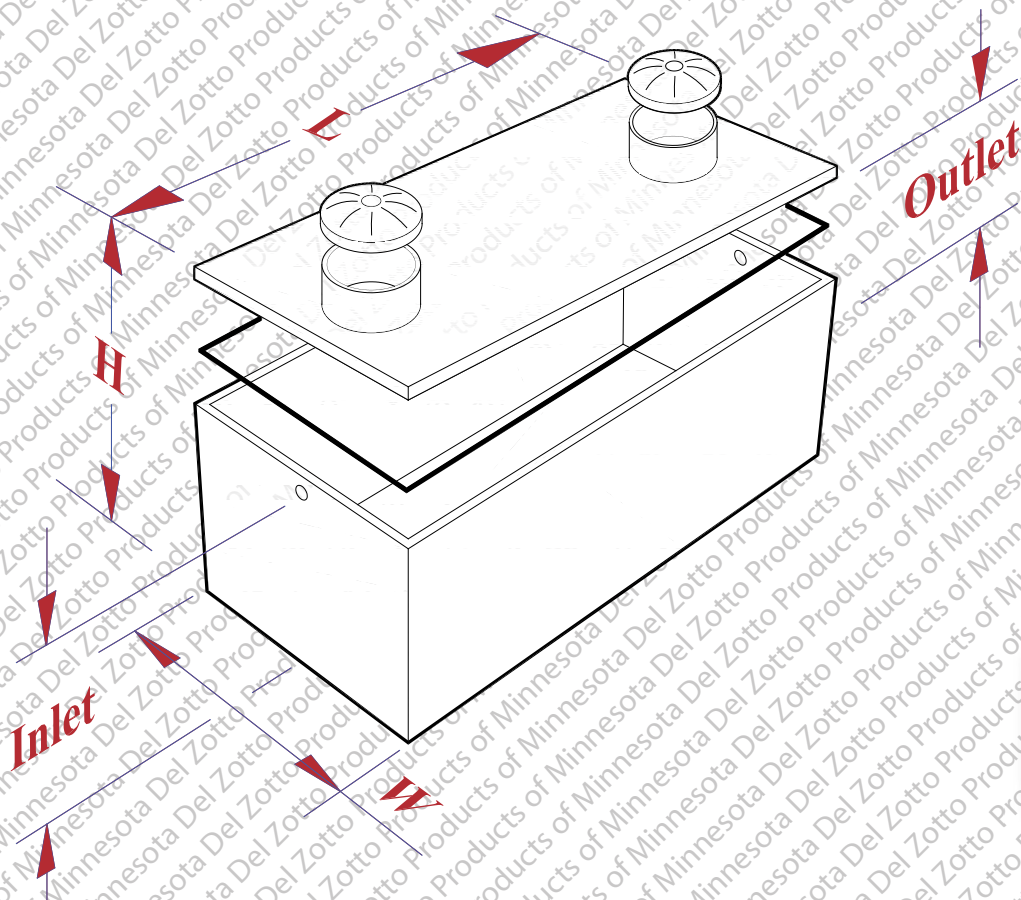


Del Zotto

You Dig... Del Zotto Delivers™

1900 County Road #1
Wrenshall, MN 55797
Phone (218) 384-3066
Fax (218) 384-3087

1500 Gallon Single Compartment Septic Tank



Sponsor



Wisconsin
POWTS
Design

L

(Length)

12' 2"

(146")

W

(Width)

5' 7"

(67")

H

(Height)

4' 11"

(59")

Inlet

(Inlet Height)

3' 10-1/2"

(46-1/2")

Outlet

(Outlet Height)

4' 1-1/2"

(49-1/2")

- ◆ Lid Thickness = 4 Inches
- ◆ Floor Thickness = 3 Inches
- ◆ Wall Thickness = 2-1/2 Inches

- ◆ Dist between In/Out = 43-1/2 Inches
- ◆ Air Space = 8-1/2 Inches
- ◆ Percent of Air Space = 20%
- ◆ Wall Taper = 2 Inches
- ◆ Dist between In/Out = 3 Inches

- ◆ Capacity = 1561 Gals
- ◆ Gallons per Inch = 35.9 Gals
- ◆ Weight = 10,330 LBS