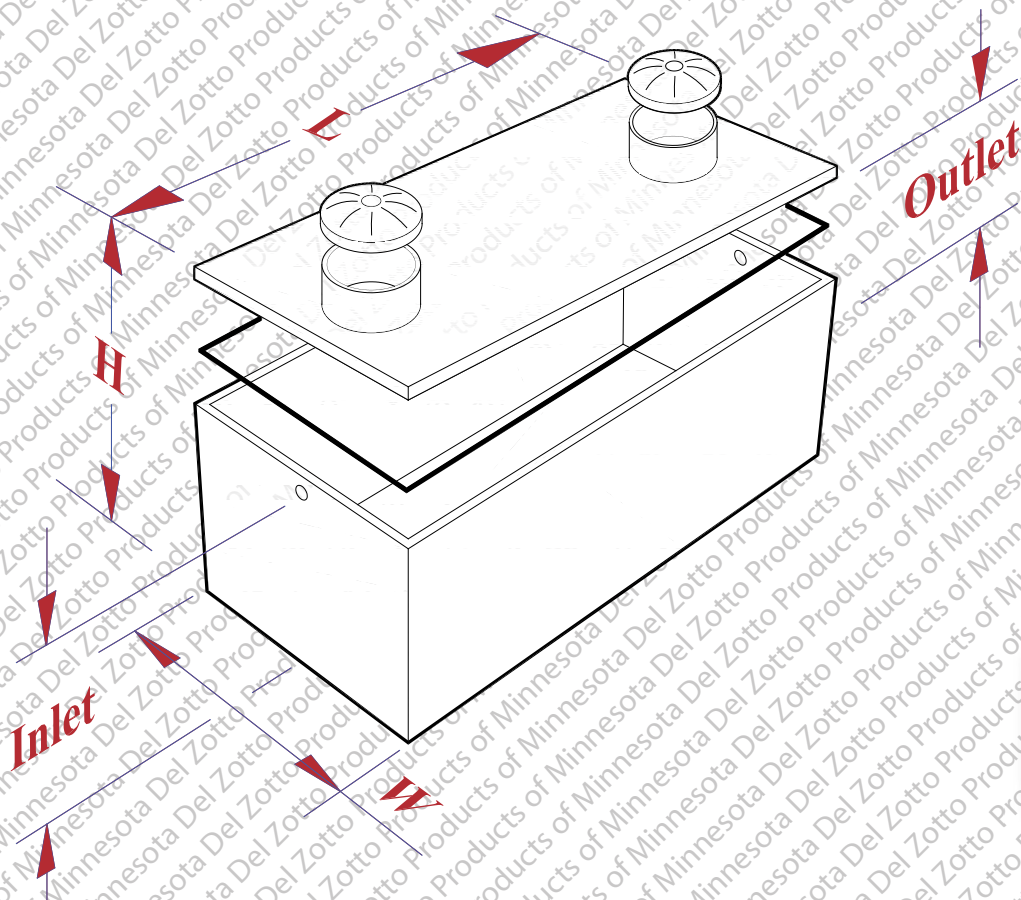


Del Zotto

You Dig... Del Zotto Delivers™

1900 County Road #1
 Wrenshall, MN 55797
 Phone (218) 384-3066
 Fax (218) 384-3087

1000 Gallon Single Compartment Septic Tank



L

(Length)

8' 0"

(96")

W

(Width)

5' 7"

(67")

H

(Height)

4' 11"

(59")

Inlet

(Inlet Height)

4' 1"

(49")

Outlet

(Outlet Height)

3' 10"

(46")

- ◆ Lid Thickness = 4 Inches
- ◆ Floor Thickness = 3 Inches
- ◆ Wall Thickness = 2-1/2 Inches

- ◆ Dist between In/Out = 43
- ◆ Air Space = 9 Inches
- ◆ Percent of Air Space = 21%
- ◆ Wall Taper = 1-1/2 Inches
- ◆ Dist between In/Out = 3 Inches

- ◆ Capacity = 1003 Gals
- ◆ Gallons per Inch = 23.3 Gals
- ◆ Weight = 7,282 LBS