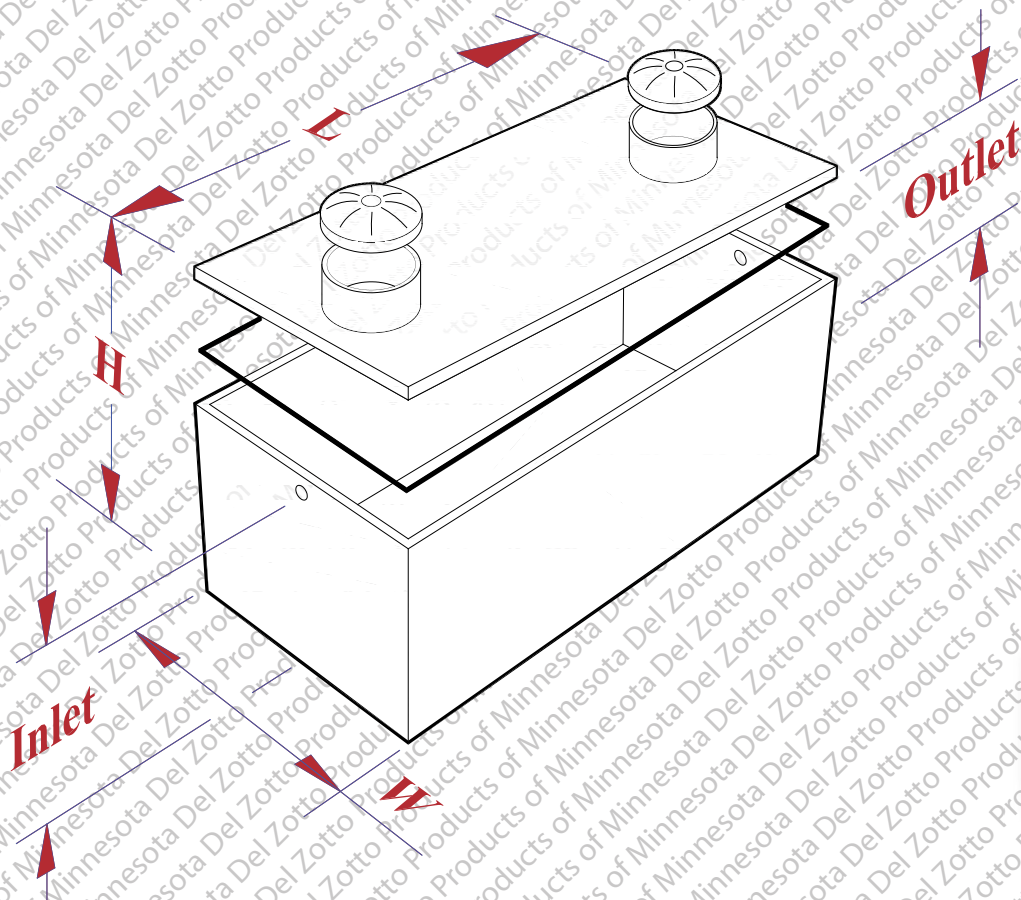


# Del Zotto

You Dig... Del Zotto Delivers™

1900 County Road #1  
Wrenshall, MN 55797  
Phone (218) 384-3066  
Fax (218) 384-3087

## 1000 Gallon Low Boy Single Compartment Septic Tank



**L**

(Length)

11'5"

(137)

**W**

(Width)

5'8"

(68")

**H**

(Height)

3'10"

(46")

**Inlet**

(Inlet Height)

3'0"

(36")

**Outlet**

(Outlet Height)

2'9"

(33")

- ◆ Lid Thickness = 4 Inches
- ◆ Floor Thickness = 3 Inches
- ◆ Wall Thickness = 2-1/2 Inches

- ◆ Dist between In/Out = 30
- ◆ Air Space = 9 Inches
- ◆ Percent of Air Space = 30%
- ◆ Wall Taper = 2 Inches
- ◆ Dist between In/Out = 3 Inches

- ◆ Capacity = 1021 Gals
- ◆ Gallons per Inch = 34.0 Gals
- ◆ Weight = 8,769 LBS